



RM-5800LL EV PLUS

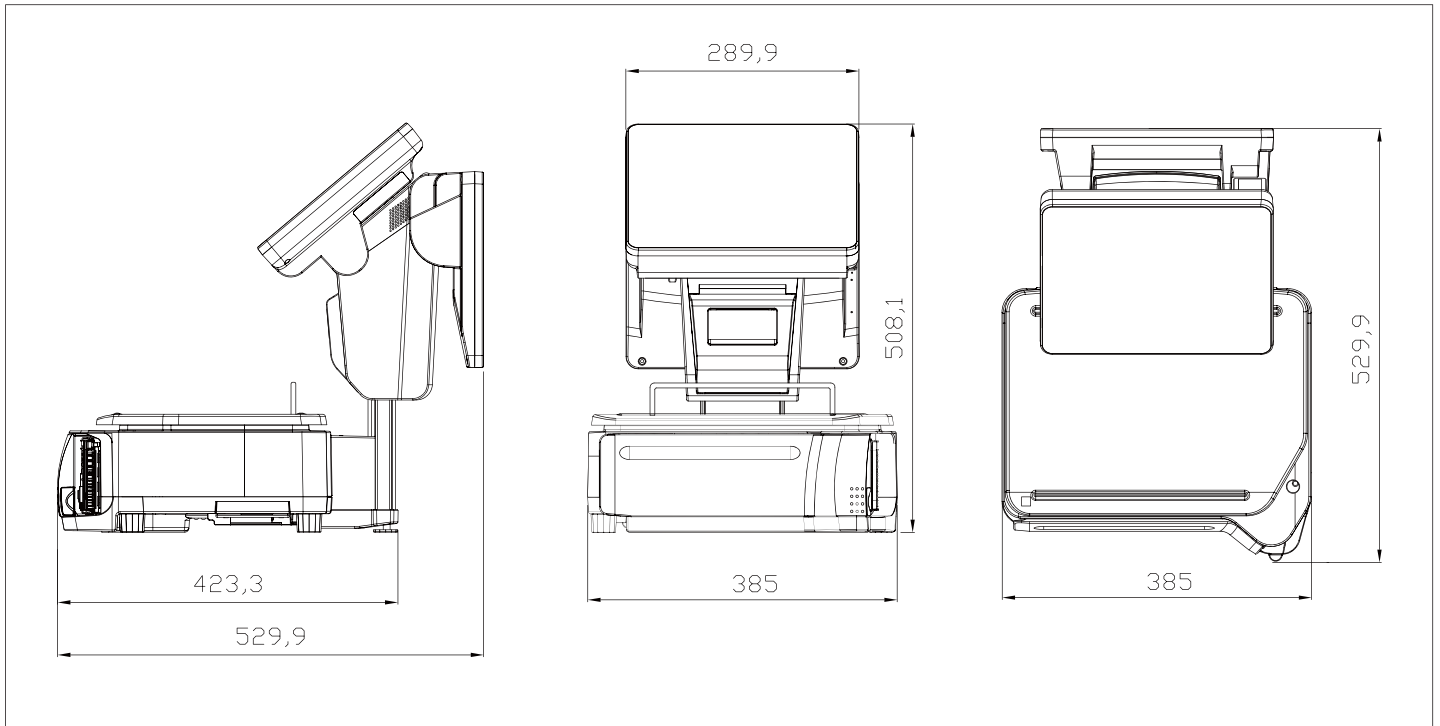
POS Scale

Powerful partner in your retail business



Searching for
a New Balance

External Dimensions (mm)



Basic Specifications

Model		RM-5800LL EV PLUS
Capacity		3/6kg 6/15kg 15/30kg
CPU		D2550 1.86GHz
Memory		DDR3 2G Memory (Max. 4G)
HDD		2.5" SATA HDD 320G, SSD 32G or SD Card
Display	Operation	12.1" TFT-LCD with Touch panel (1024 x 768 pixel)
	Customer	12.1" TFT-LCD (1024 x 768 pixel)
Printer	(1)	Thermal Printer with Auto-Cutter Paper width: 80mm Print speed: 220mm/s
	(2)	Linerless Thermal Label Printer with Auto-Cutter Max. Printing Width: 60mm Paper width: 62mm (receipt) / 60mm (label) Print speed: Max. 110mm/sec. Life span: 100million pulses, 100km or more.
I/O		1x LAN 2x USB 1x RS232 1x RJ9 Cash drawer
Power Source		AC 176 ~264V, 50/60 Hz (Factory preset)
Operating Temperature		0°C ~ +40°C
Operating Humidity		15% ~ 85% RH

*Specifications are subject to change without prior notice.

SHANGHAI TERAOKA ELECTRONIC CO., LTD.

Tinglin Industry Developmental Zone,
Jinshan District, Shanghai 201505
TEL: +86-21-57234888
FAX: +86-21-47233049
<http://www.digisystem.com>