

RETAIL WEIGHING SOLUTION™



Dual interval technology



Client view pole display



Membrane key pad

ER^{JR} SERIES

Price Computing Scale

ER^{JR} is the best choice if you seek for economic retail weighing solution with high efficiency

- Three high legible LCD displays
- Stainless-steel platter



CAS

ER^{JR} SERIES | Price Computing Scale

FEATURES

- 4 direct PLUs memory function
*PLU (Price-Look-Up) function: Preset keys for frequent transaction items and its price. It makes your business operation more convenient
- Adopted dual interval technology for more accuracy
- Three high legible LCD displays with backlight
- Membrane keypad
- Daily total function
- Calculation function
- Rechargeable battery operation
- Auto power-off function

SPECIFICATIONS

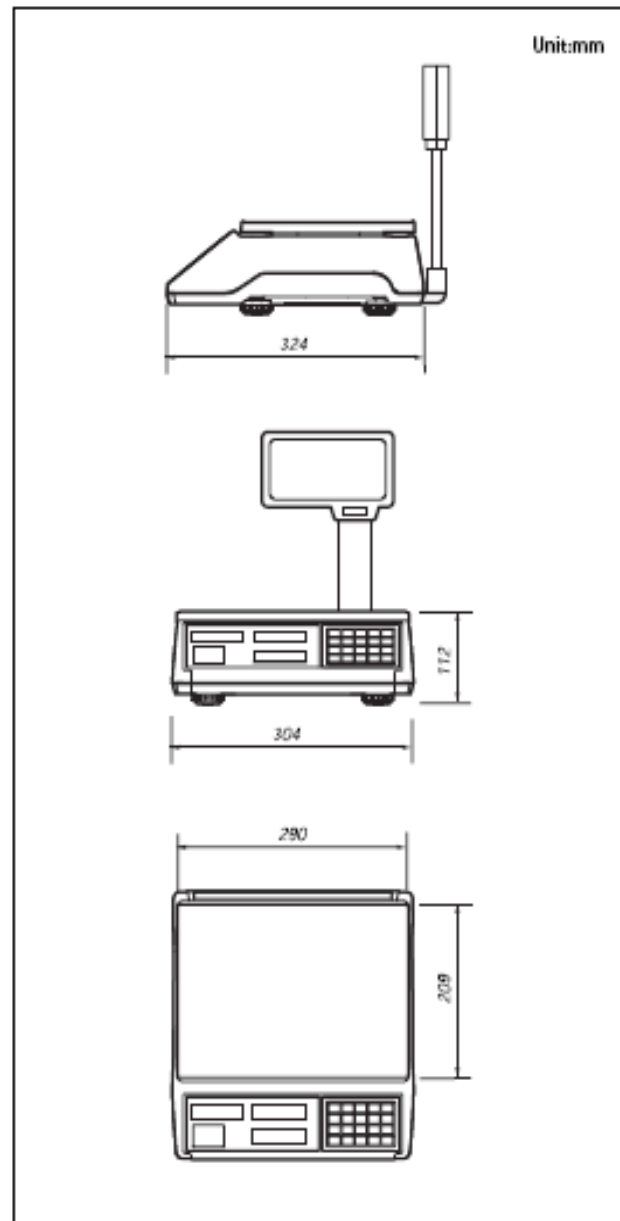
Model	ER ^{JR} SERIES		
Capacity (kg)	3/6	6/15	15/30
Readability (g)	1/2	2/5	5/10
Maximum Tare (kg)	-2.999	-5.998	-14.995
Internal Resolution	1/60,000		
External resolution	1/3,000 (Dual Interval)		
Display Digit	6/6/6 (Weight/Unit Price/Total Price)		
Display type	LCD		
Operation Temperature	-10°C ~ 40°C		
Power	Rechargeable Battery, 12V DC Adapter		
Battery Life	180hrs (without backlight)		
Platter Size (mm)	290(W) x 209(D)		
Dimensions (mm)	304(W) x 324(D) x 112(H)		
Product Weight (kg)	3.5		

OPTIONS

- Client view pole display
- Dust protection cover
- Backlight



DIMENSIONS



CAS

CAS BLDG., # 440-1, SUNGNAE DONG,
GANGDONG GU, SEOUL, KOREA

TEL_ 82 2 2225 3500

FAX_ 82 2 475 4668

<http://www.globalcas.com>

Specifications are subject to change for improvement without prior notice.