

# CL7200 SERIES

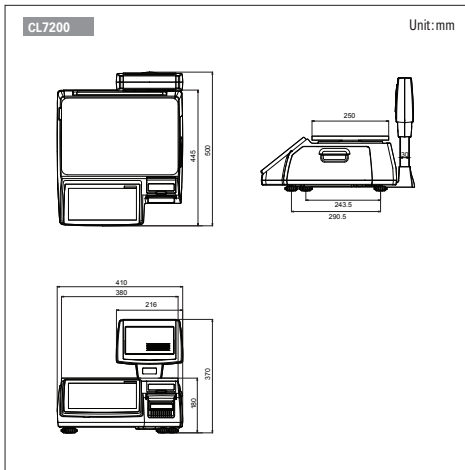
## ALL-IN ONE MULTIMEDIA SCALE



### SPECIFICATIONS

Model	CL7200	
Max. capacity(g)	6/15	15/30
Readability(g)	2/5	5/10
Resolution	1/3,000(Dual interval)	
Operating system(OS)	Linux	
Display type	Staff	10.2" Color TFT-LCD (resistant membrane touch panel)
	Consumer	7" color TFT-LCD
Printer speed	Max. 100mm/sec	
Printer resolution	202dpi	
Label size(mm)	Width: 40 ~ 60, length: 30 ~ 200	
Power	AC 100~240 V,50/60 Hz	
Operation temperature	-10°C ~ 40°C	
Platter size(mm)	380(W)x250(H)	
Dimensions(mm)	410(W)x500(H)x370(D)	
Product weight(kg)	8.3	

### DIMENSIONS



### FEATURES

- Applied 10.2" touch screen keypad (user) and 7" full color display (customer)
- Supports videos as a Unix-based multimedia scale
- Convenient remote updating function
- Supports a diverse range of interfaces: LAN, WLAN, RS-232C, Cash drawer, USB2.0X2

### OPTIONS

- Wireless LAN card (WiFi)
- CL-Works PRO PC Management Program (Sold Separately)



# CL7200 SERIES

## AII-IN-ONE MULTIMEDIA Scale

CL7200 is a multimedia scale for which intuitive data inputting and outputting as well as reviving of the data is possible. Both the user and the customer can check the measurement value simultaneously through the application of large 10.2" touch screen display and 7" full color display for customer. Elevates the class of the retail outlet through the user friendly interface that realizes video playing and clear images.



CL-Works Pro



Large 10.2" display screen

Remote updating of firmware



Scan with your smartphone to find more products



# CL7200 SERIES

## Multimedia

### Large 10.2" user display screen

It makes operation of the equipment more convenient by indicating clear measurement values and a diverse range of contents through large 10.2" display screen



### High functional label printer

It supports printing speed of 100mm/sec and resolution of 202dpi through the application of high speed head. It can be used more broadly than the existing barcode since printing QR code is done on labeling papers.



### Convenient GUI

Users can easily put in and change settings through the provision of convenient GUI environment by means of employment of menus and functions that are same as those of the existing CL5000 series. It offers user-oriented convenient GUI interface.



### User-friendly interface

User error can be reduced for even more convenient inputting on the basis of touch screen, which is the core aspect of the user-friendly interface.



### Remote updating of firmware

Updating and abnormality in the equipment can be resolved quickly through remote support without having to personally visit the service center.



### High resolution color display for the customers

Customers can check the measurement values clearly through the use of LCD display, and the vendor can use the equipment conveniently since a diverse range of multimedia including promotional video and product images are being supported.



## ALL-IN ONE MULTIMEDIA SCALE

## Feature

### Supports the CL7200-S Self-Service Type

#### Display & Keypad

15 Inch Color TFT-LCD(Analog Resistive)

#### Hardware

Operating System: Linux(CPU 1GHz, Cortex-A9)  
Power: AC 100-240V, 50/60 Hz  
Basics: USB, Cable LAN, Cash-Drawer, RS232C  
Option: Wireless LAN

#### Customized Graphic Design Available



Metal Case

#### Label & Ticket PRINTER

Printing Speed(mm/s): 100  
Label Size(mm): width 40-60, length: 30-120

### Splash resistant (water repellency for everyday use)

CL7200 display has Spill-resistant (in preparation for entering of liquid into the equipment) design in order to prevent breakdown due to the entry of liquid into the equipment. It will provide you with peace of mind as water repellency function for everyday use has been applied.



### Supports a diverse range of interfaces

It is possible to establish powerful network system through a diverse range of interfaces including USB 2.0x2, LAN, WLAN, RS-232C and Cash drawer, etc.



### Convenient application of label cassette

It is possible to replace the labeling papers quickly and conveniently through application of cassette format of labels. It supports printing speed of 100mm/sec through adoption of high speed printer head.



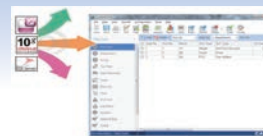
### Setting of a diverse range of barcodes and label formats

It is possible to set 45 basic label formats and a diverse range of barcodes. Moreover, free design is possible through CL-WORKS program.



## Multiple management of data through network and PC Software

Function capable of lumped data transmission and diverse range of data editing, and multiple management of the scale is possible through network by utilizing PC Software.



Function for lumped transmission of all the data



View images in advance



Image editing function